



3600-6000 Lbs. Capacity

- Complete service manual
- Precision machined steel spindles and integral cast iron hub/drums
- Press-in wheel studs
- 12" x 2" CSA approved electric brakes
- 12" x 2" hydraulic brakes
- Electric and hydraulic brakes are available with and without parking feature
- Hydraulic free backing brakes are available
- Inner wiring system for easier installation and protection of brake wiring
- Standard grease lubrication; E-Z Lube® or Nev-R-Lube® option

D44, D52 & D60 LEAF SPRING



- High strength 3" diameter tube
- Straight or Drop spindles (4" drop only)
- High quality alloy steel springs in a variety of capacities
- Single, tandem, or triple axle assemblies with equalized suspensions
- Slipper spring or double eye leaf spring suspension
- Optional hanger and attaching parts kits available
- Durable, wear-resistant components
- 2 year limited warranty



- Totally rubber-cushioned for smooth, quiet, independent ride
- Easy installation with less maintenance
- Less transfer of road shock which insulates cargo from road shocks and vibration
- Rubber cords compounded for maximum dependability and durability
- Load-carrying cross member
- Self-damping action
- Independent wheel suspension system
- 5 year limited warranty on suspension system
- Low profile for maximum road clearance
- Various starting angles to control trailer height

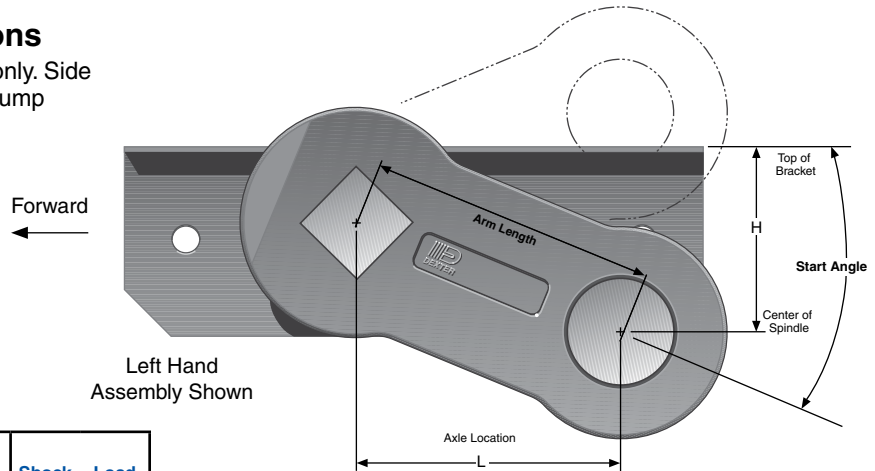
- High and low profile brackets with optional mounting brackets available
- Rubber cushioning eliminates metal-to-metal contact
- Shock absorption provided by the natural hysteresis of rubber
- Single or tandem axle assemblies
- Durable, wear-resistant components

CAUTION: Triple axle assemblies are NOT recommended for Torflex® axles.



Articulation Dimensions

Dimensions are for top mount only. Side mount is .25" higher. Allow 3" bump clearance from full load.



Start Angle	Bracket Profile	No Load		Full Load		Shock Load	
		H	L	H	L	H	L
45° Down	Low	6.01	4.24	4.06	5.54	3.06	5.86
	High	6.76	4.24	4.81	5.54	3.81	5.86
22.5° Down	Low	4.06	5.54	1.77	6.00	0.72	5.91
	High	4.81	5.54	2.52	6.00	1.47	5.91
10° Down	Low	2.81	5.91	0.47	5.86	-0.53	5.54
	High	3.56	5.91	1.22	5.86	0.22	5.54
0°	Low	1.77	6.00	-0.53	5.54	-1.46	5.06
	High	2.52	6.00	0.22	5.54	-0.71	5.06
10° Up	Low	0.72	5.91	-1.46	5.06	-2.29	4.42
	High	1.47	5.91	-0.71	5.06	-1.54	4.42
22.5° Up	Low	-0.53	5.54	-2.48	4.24	-3.15	3.44
	High	0.22	5.54	-1.73	4.24	-2.40	3.44

#11 Overhang Per Side

Spindle	Min.	Disc.*	Max.
Short	7.00"	7.50"	10.22"
Standard	7.50"	7.50"	10.22"

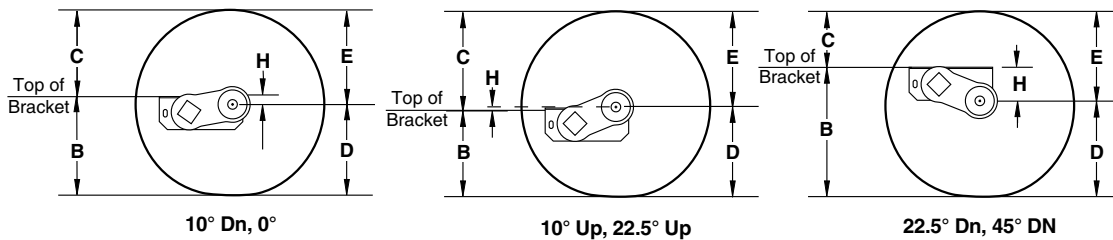
* Minimum overhang with disc brakes

Note: Positive numbers in the H column indicate the spindle is BELOW the top of the bracket. Conversely, negative numbers are ABOVE the top of the bracket.



Full Load Dimensions

Dimensions are for low profile, top mount only. High profile brackets are .75" higher. Side mount is .25" higher. Allow 3" bump clearance from full load.



Start Angle

Tire	* **		45° Down			22.5° Down			10° Down			0°			10° Up			22.5° Up		
	D	E	H	B	C	H	B	C	H	B	C	H	B	C	H	B	C	H	B	C
ST225/75R15	13.0	14.4	4.1	17.1	10.3	1.8	14.8	12.6	0.5	13.5	13.9	-0.5	12.5	14.9	-1.5	11.5	15.9	-2.5	10.5	16.9
LT235/85R16	14.3	15.4	4.1	18.4	11.3	1.8	16.1	13.6	0.5	14.8	14.9	-0.5	13.8	15.9	-1.5	12.8	16.9	-2.5	11.8	17.9
LT225/75R16	13.5	14.9	4.1	17.6	10.8	1.8	15.3	13.1	0.5	14.0	14.4	-0.5	13.0	15.4	-1.5	12.0	16.4	-2.5	11.0	17.4
8.75R16.5LT	13.8	14.8	4.1	17.9	10.7	1.8	15.6	13.0	0.5	14.3	14.3	-0.5	13.3	15.3	-1.5	12.3	16.3	-2.5	11.3	17.3

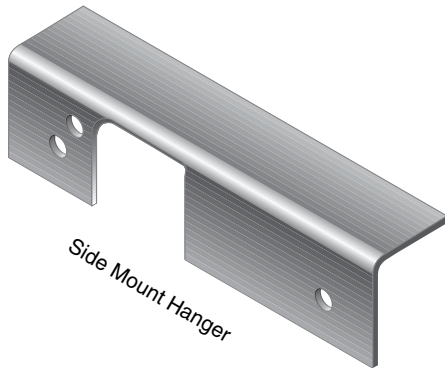
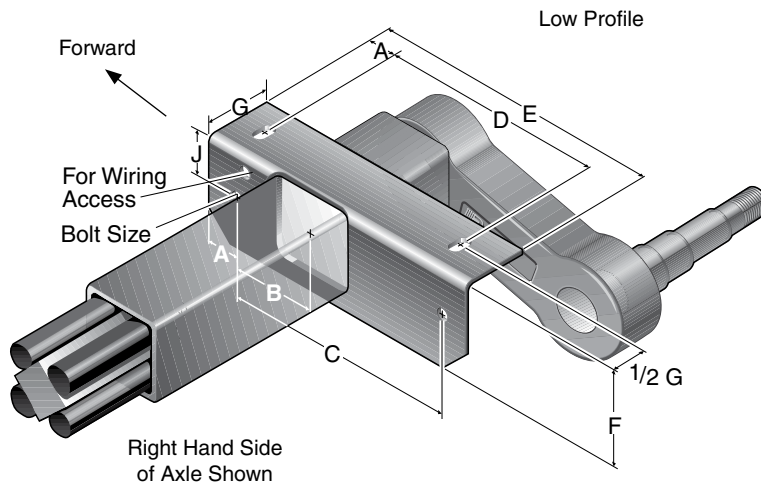
Columns D and E are dimensional examples only:

* D – Static Loaded Radius

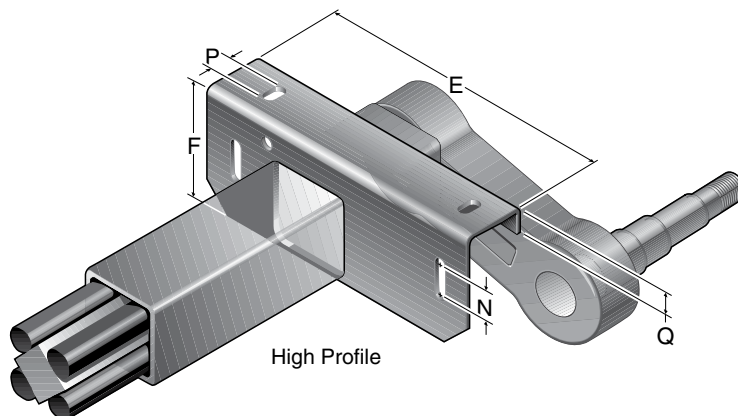
** E – Inflated Radius



#11 Bracket Dimensions



#11 Bracket Dimensions		
	Low	High
A	.75	1.25
B	3.50	3.50
C	9.50	9.50
D	9.00	9.00
E	11.00	12.00
F	3.91	4.66
G	2.50	2.50
J	1.83	1.83
N	----	1.03
P	----	1.00
Q	----	1.00
Bolt Size	5/8" bolt	
Tube Size	3.03	3.03



Leaf Spring Application Information



Double Eye Springs

For Standard 33" Axle Spacing
 Single A/P-122-00
 Tandem A/P-233-00
 Triple A/P-335-00

	Spring Length		
	21"	24"	26"
A	19.62	23.50	25.75
B	25.00	27.50	29.50
C	28.75	31.00	33.00
D	10.62	12.00	13.00
E	28.75	31.00	33.00

For Optional 35" Axle Spacing
 Tandem A/P-264-00
 Triple A/P-364-00

	Spring Length		
	21"	24"	26"
B	26.00	28.50	30.50
C	30.80	33.00	35.00
D	10.62	12.00	13.00
E	30.80	33.00	35.00

D44 Overhang Per Side

	Min.	Max.
Straight	12.00"	19.00"

D52 Overhang Per Side

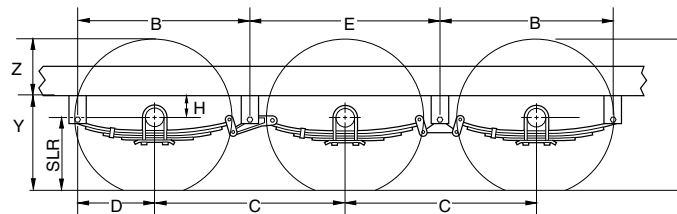
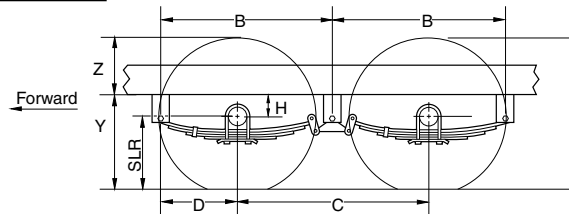
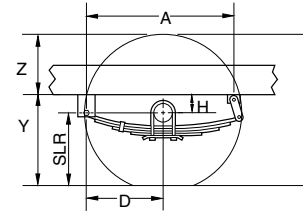
	Min.	Disc.*	Max.
Straight	6.63"	9.00"	9.50"
4" Drop-Short	7.87"	9.00"	9.50"
4" Drop	8.25"	9.00"	9.50"
Nev-R-Lube®	6.19"	9.00"	9.50"

* Minimum overhang with disc brakes

D60 Overhang Per Side

	Min.	Disc.*	Max.
Straight	6.63"	9.00"	10.00"
4" Drop-Short	7.87"	9.00"	10.00"
4" Drop	8.25"	9.00"	10.00"
Nev-R-Lube®	6.19"	9.00"	10.00"

* Minimum overhang with disc brakes



Double Eye Axle Assemblies

Hanger Kits

Part No.	Description	Height	Quantity Per Kit				
			HGR-104-00	HGR-105-00	HGR-248-00	HGR-249-00	HGR-348-00
028-005-00	Hanger	3.25"	2	----	4	2	4
028-006-00	Front Hanger	1.44"	----	2	----	----	----
029-008-00	Front Hanger	2.06"	----	----	----	4	----
029-031-00	Center Hanger	3.62"	----	----	2	----	4
030-020-00	Rear Hanger	.91"	2	2	----	----	----

Attaching Parts Kits

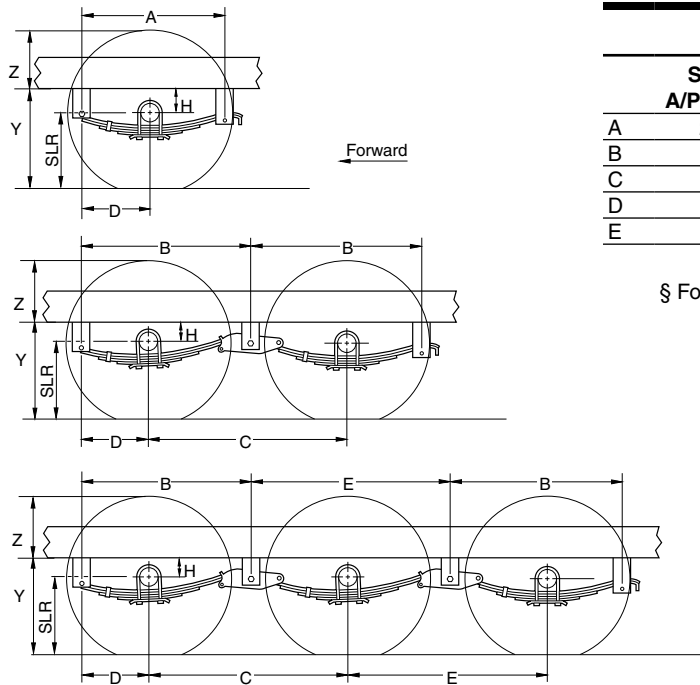
Part No.	Description	Quantity Per Kit				
		A/P-122-00	A/P-233-00	A/P-264-00†	A/P-335-00	A/P-364-00†
006-092-01	Flange Locknut	6	14	14	22	22
007-126-00	Shackle Bolt	2	6	6	10	10
013-104-02	Equalizer	----	2	----	2	----
013-105-02	Equalizer	----	----	----	2	----
013-122-02	Equalizer	----	----	2	----	2
013-126-02	Equalizer	----	----	----	----	2
018-011-00	Shackle Link	----	4	4	6	6
018-012-00	Shackle Link, Long	2	----	----	----	----
018-020-00	Shackle Link Assembly	----	4	4	6	6
018-021-00	Shackle Link Assembly, Long	2	----	----	----	----

† For 35" axle spacing using 26" springs

Leaf Spring Application Information



3600 - 6000 LBS. CAPACITY



Slipper Springs

	Single A/P-103-00	Tandem A/P-202-00 [§] A/P-216-00 [‡]		Triple A/P-302-00 [§] A/P-316-00 [‡]	
A	24.0	----	----	----	----
B	----	28.8	30.4	28.8	30.4
C	----	33.5	36.0	33.5	36.0
D	11.5	11.5	11.5	11.5	11.5
E	----	----	----	33.0	35.0

Note: All 2" wide slipper springs
[§] For 33.5" axle spacing [‡] For 36" axle spacing

A, B, E – Hanger Spacing
 C – Axle Spacing
 D – Axle Location
 H – Center of Spindle
 Y – Frame Height
 Z – Top of Tire to Bottom of Frame
 SLR – Static Load Radius

To determine these values, contact your local sales engineer or distributor to run ProSpec™.

Slipper Spring Axle Assemblies

Hanger Kits			Quantity Per Kit		
Part No.	Description	Height	HGR-110-00	HGR-202-00	HGR-302-00
028-001-00	Front Hanger	4.25"	2	2	2
029-001-00	Center Hanger	3.50"	----	2	4
030-028-00	Rear Hanger	4.00"	2	2	2

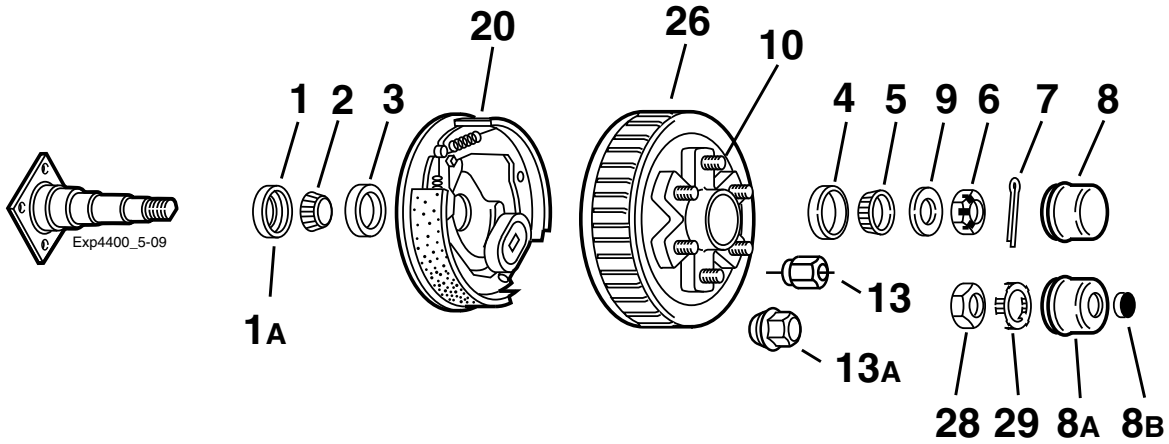
Attaching Parts Kits		A/P-103-00	A/P-202-00 [§]	A/P-216-00 [‡]	A/P-302-00 [§]	A/P-316-00 [‡]
006-007-01	1/16-18 Locknut	2	4	4	6	6
006-011-00	Keeper Nut	2	4	4	6	6
006-111-00	Equalizer Nut	----	2	2	4	4
007-001-01	Equalizer Bolt	----	2	2	4	4
007-007-00	Keeper Bolt	2	4	4	6	6
007-017-00	Spring Eye Bolt	2	4	4	6	6
013-004-00	Equalizer	----	2	----	4	----
013-044-01	Equalizer	----	----	2	----	4

[§] For 33.5" axle spacing

[‡] For 36" axle spacing

Some combinations of hangers and spring mountings may result in insufficient bump clearance. Refer to the Miscellaneous section for additional hanger kits, A/P kits, or other tires.

655 D44 Hub Group



Grease Lube Parts

Item	Part No.	Description
1	010-004-00	Grease Seal
1A	010-019-00	Grease Seal for E-Z Lube®
2	031-033-02	L68149 Inner Bearing Cone
3	031-033-01	L68111 Inner Bearing Cup
4	031-032-01	LM67010 Outer Bearing Cup
5	031-032-02	LM67048 Outer Bearing Cone
6	006-176-00	Spindle Nut
7	019-002-00	Cotter Pin (not used with E-Z Lube®)
8	021-001-00	Grease Cap
8A	021-042-01	Grease Cap for E-Z Lube®
8B	085-001-00	Rubber Plug for E-Z Lube®
9	005-023-00	Spindle Washer
28	006-191-00	Special Jam Nut for E-Z Lube® (after 2002)
29	006-190-00	Spindle Nut Retainer for E-Z Lube® (after 2002)

10" x 2 1/4" Brakes Old Style Before 5/1/09

Item	Part No.	Description
ns	K23-454-00	LH Electric
ns	K23-455-00	RH Electric

ns - not shown

10" x 2 1/4" Brakes New Style After 5/1/09

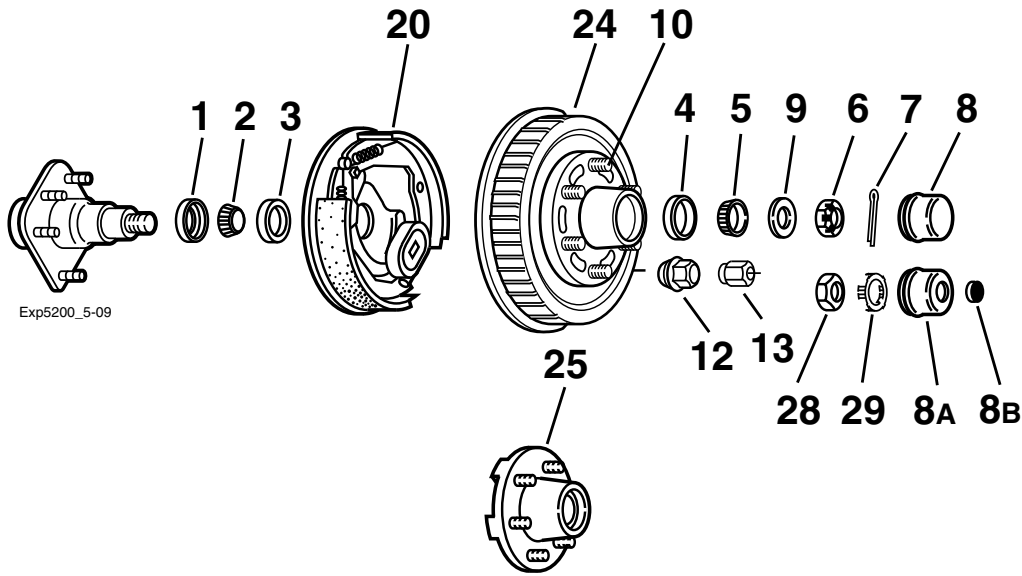
Item	Part No.	Description
20	K23-462-00	LH Electric
20	K23-463-00	RH Electric

Hubs

Item	Part No.	Description	Bolt Circle
Hubs and Drums			
26	008-407-05	1/2" Stud	6 on 5.50

Studs & Wheel Nuts

Item	Part No.	Description
10	007-122-00	1/2-20 Pressed Wheel Stud
13A	006-201-00	1/2-20 Torq-N-Go™ Two Piece Capped Wheel Nut
ns	006-200-00	1/2-20 Torq-N-Go™ Two Piece Uncapped Wheel Nut
13	006-080-00	1/2-20 60° Cone Nut



Grease Lube Parts

Item	Part No.	Description
1	010-036-00	Grease Seal, E-Z Lube® Seal
1	010-063-00	Oil Seal
1	010-054-00	2.250" Grease Seal
2	031-030-02	25580 Inner Bearing cone
3	031-030-01	25520 Inner Bearing Cup
4	031-032-01	LM67010 Outer Bearing Cup (for 5200#)
5	031-032-02	LM67048 Outer Bearing Cone (for 5200#)
4	031-029-01	15245 Outer Bearing Cup (for 6000#)
5	031-029-02	15123 Outer Bearing Cone (for 6000#)
6	006-176-00	Spindle Nut
7	019-002-00	Cotter Pin (not used with E-Z Lube®)
8	021-001-00	Grease Cap
8A	021-042-01	Grease Cap for E-Z Lube®
8B	085-001-00	Rubber Plug for E-Z Lube®
9	005-023-00	Spindle Washer
28	006-191-00	Special Jam Nut for E-Z Lube® (after 2002)
29	006-190-00	Spindle Nut Retainer for E-Z Lube® (after 2002)

12" x 2" Brakes

Item	Part No.	Description
20	K23-105-00/K23-106-00	LH/RH Electric
ns	K23-112-00/K23-113-00	LH/RH Electric w/park
ns	K23-326-00/K23-327-00	LH/RH Electric 6K CSA
ns	K23-328-00/K23-329-00	LH/RH Electric 6K CSA w/park
ns	K23-324-00/K23-325-00	LH/RH Hydraulic Uni-servo
ns	K23-320-00/K23-321-00	LH/RH Hydraulic Uni-servo w/park
ns	K23-322-00/K23-323-00	LH/RH Hydraulic Duo-servo
ns	K23-318-00/K23-319-00	LH/RH Hydraulic Duo-servo w/park
ns	K23-342-00/K23-343-00	LH/RH Hydraulic Free Backing
ns	K23-340-00/K23-341-00	LH/RH Hydraulic Free Backing w/park
ns	K23-342-01/K23-343-01	LH/RH Hydraulic FB Corrosion Resistant
ns	K23-340-01/K23-341-01	LH/RH Hydraulic FB Corrosion Resistant w/park
ns	K23-458-00/K23-459-00	LH/RH Electric Nev-R-Adjust®
ns	K23-466-00/K23-467-00	LH/RH Electric 6K CSA Nev-R-Adjust®

ns - not shown

Hubs

Item	Part No.	Description	Bolt Circle
Hubs and Drums			
24	008-201-05	½" Stud for 5200#	6 on 5.50
24	008-201-09	½" Stud 15123 bearing for 6000#	6 on 5.50
Plain Hubs			
25	008-213-05	½" Stud for 5200#	6 on 5.50
25	008-213-09	½" Stud 15123 bearing for 6000#	6 on 5.50

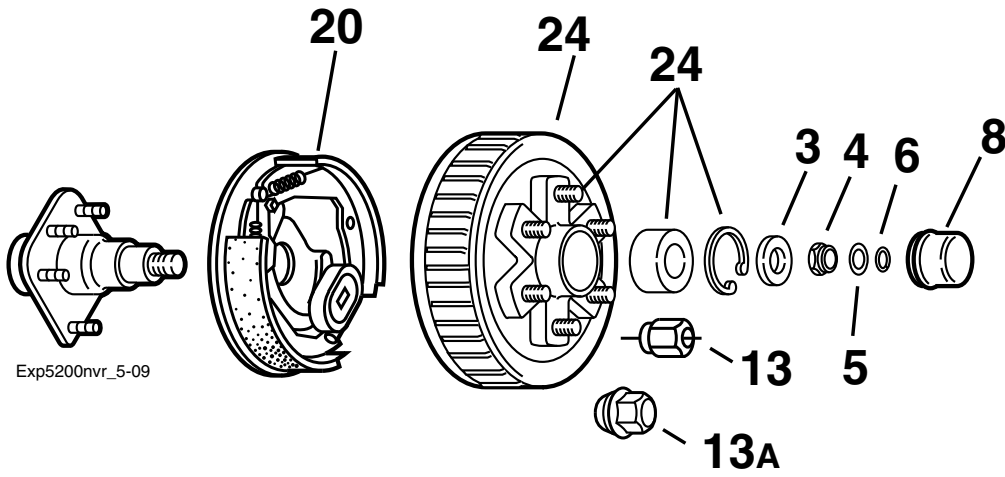
Studs & Wheel Nuts

Item	Part No.	Description
10	007-122-00	½-20 x 1.84 Long Press-in Stud*
10	007-262-00	½-20 x 2.50 Long Press-in Stud* (hub-drum after 1/04)
12	006-201-00	½-20 Torq-N-Go™ Two Piece Capped Wheel Nut
ns	006-200-00	½-20 Torq-N-Go™ Two Piece Uncapped Wheel Nut
13	006-080-00	½-20 60° Cone Nut

* Stud length measured under head to end of stud.

Note: 8 on 6.5 hubs are available on these axles. See section in 5500-7000 lbs. capacity.

655 Nev-R-Lube® Hub Group



Nev-R-Lube® Parts 42MM & 50MM

Item	Part No.	Description
3	005-147-01	Spindle Washer, 42mm
4	006-183-00	Spindle Nut
5	092-002-00	Washer, Torque Label
6	069-096-00	Snap Ring
8	021-085-00	Hub Cap, 42mm

12" x 2" Brakes

Item	Part No.	Description
20	K23-105-00/K23-106-00	LH/RH Electric, 6K
ns	K23-112-00/K23-113-00	LH/RH Electric w/park, 6K
ns	K23-324-00/K23-325-00	LH/RH Hydraulic Uni-servo, 5.2K
ns	K23-320-00/K23-321-00	LH/RH Hydraulic Uni-servo w/park, 5.2K
ns	K23-322-00/K23-323-00	LH/RH Hydraulic Duo-servo, 5.2K
ns	K23-318-00/K23-319-00	LH/RH Hydraulic Duo-servo w/park, 5.2K
ns	K23-338-00/K23-339-00	LH/RH Hydraulic Uni-servo, 7K
ns	K23-334-00/K23-335-00	LH/RH Hydraulic Uni-servo w/park, 7K
ns	K23-336-00/K23-337-00	LH/RH Hydraulic Duo-servo, 7K
ns	K23-332-00/K23-333-00	LH/RH Hydraulic Duo-servo w/park, 7K
ns	K23-342-00/K23-343-00	LH/RH Hydraulic Free Backing, 7K
ns	K23-340-00/K23-341-00	LH/RH Hydraulic Free Backing w/park, 7K
ns	K23-458-00/K23-459-00	LH/RH Electric Nev-R-Adjust®
ns	K23-466-00/K23-467-00	LH/RH Electric 6K CSA Nev-R-Adjust®

ns - not shown

Hubs With Bearing and Wheel Studs

Item	Part No.	Description	Bolt Circle
24	008-388-80	Hub and Drum includes: 007-122-00 ½-20 Press-in Studs 031-073-03 42mm Bearing Cartridge 069-095-00 Bearing Retainer	6 on 5.50

Wheel Nuts

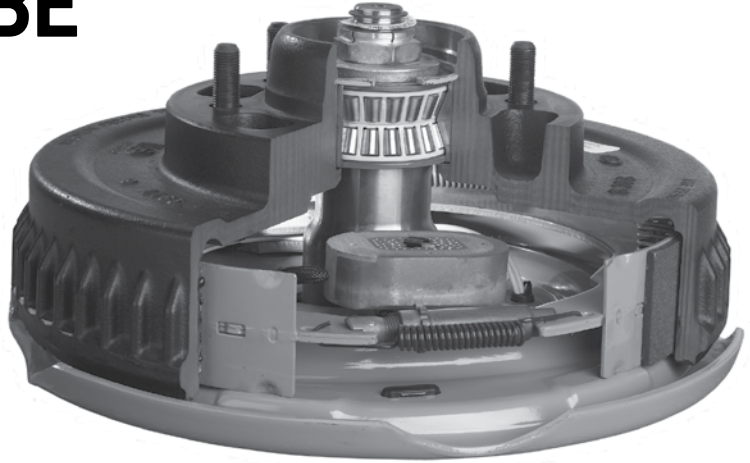
Item	Part No.	Description
13A	006-201-00	½-20 Torq-N-Go™ Two Piece Capped Wheel Nut
ns	006-200-00	½-20 Torq-N-Go™ Two Piece Uncapped Wheel Nut
13	006-080-00	½-20 60° Cone Nut

Note: 8 on 6.5 hubs are available on these axles.
See section in 5500-7000 lbs. capacity.

SAVE TIME, SAVE MONEY WITH NEV-R-LUBE®

Nev-R-Lube® Features

- No more inner and outer bearings to repack
- Pre-lubricated and resistant to contamination
- Sealed for life, no bearing maintenance
- Increased durability and reliability
- No replacing seals when checking brakes
- Pre-set adjustment allows for easy installation
- Human error is virtually eliminated in bearing adjustment
- Five-year or 100,000 mile limited warranty



What is Nev-R-Lube®?

Dexter's Nev-R-Lube® bearings are comprised of opposed tapered roller bearing cones sealed inside of a precision ground, one piece double cup arrangement. These bearings are designed with a small amount of axial end play. The end play is essential to the longevity of the bearing's service life. Nev-R-Lube® is not designed for immersion in water, such as boat trailer use.

35mm SEALED CARTRIDGE BEARINGS

- D35 leaf spring axles
- #10 Torflex® axles
- Straight spindles only
- Up to 3,500 lbs. capacity
- 6 on 5.50" bolt circle hub-drums
- 10" x 2¼" brakes
- Increased diameter of the hub prevents the use of smaller pilot 5 on 4.50" wheels
- Use only zero offset wheels

42mm SEALED CARTRIDGE BEARINGS

- D52 and D60 leaf spring axles
- #11 and #12 Torflex® axles
- Straight spindles only
- Up to 6,000 lbs. capacity
- 6 on 5.50" bolt circle hub-drums
- 12" x 2" brakes
- Use only zero offset wheels

50mm SEALED CARTRIDGE BEARINGS

- D70, D72, and D80 leaf spring axles
- #12, #12V, and #13 Torflex® axles
- Straight spindles only
- Up to 8,000 lbs. capacity
- 8 on 6.50" bolt circle hub-drums
- 12" x 2", 12¼" x 3⅜", and 2¼" x 2½" brakes
- Can be used with zero to ½" inset wheels at 7,000 lb. ratings
- Zero offset or 0.19" inset wheels only at 8,000 lbs. capacity

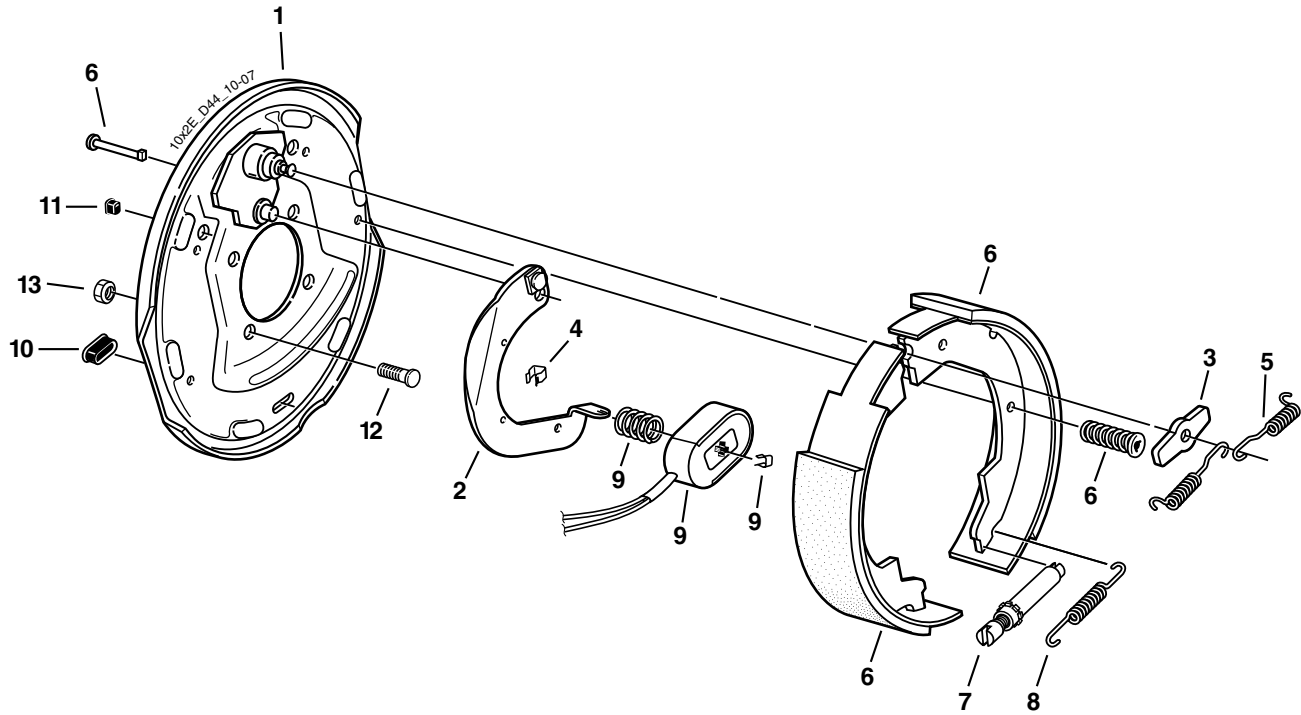
Nev-R-Lube® is subject to the maintenance and inspection procedures as outlined in the Dexter Operation Maintenance Service Manual.

10" x 2¼" D44 Electric Brake



CSA approved at 4400#/13.0 SLR

3600 - 6000 LBS. CAPACITY



Electric Brake Old Style Before 5/1/09

Item	Part No.	Qty/Brk	Description
ns	K23-454-00	1	LH Complete Brake Assembly
ns	K23-455-00	1	RH Complete Brake Assembly
ns	036-019-16	1	Backing Plate Assembly
2	047-019-00	1	LH Actuating Lever Arm
2	047-020-00	1	RH Actuating Lever Arm
3	005-067-00	1	Washer
4	027-005-00	2	Wire Clip
5	046-009-00	2	Retractor Spring
6	K71-672-00	1	Shoe & Lining Kit Contains: 1 #040-361-00 Primary Shoe & Lining 1 #040-362-00 Secondary Shoe & Lining 2 #049-002-00 Shoe Hold Down Pin #8 2 #046-077-00 Shoe Hold Down Spring & Cup
7	043-004-00	1	Adjuster Assembly
8	046-018-00	1	Adjusting Screw Spring
9	K71-125-00	1	Magnet Kit Contains: 1 #042-143-00 Magnet (black wire) 1 #027-009-00 Magnet Clip 1 #046-080-00 Magnet Spring
10	046-007-00	2	Adjuster Slot Plug
11	046-016-00	1	Wire Grommet
12	007-271-00	4	Brake Mounting Bolt - Press-in
*13	006-017-00	4	Brake Mounting Nut

ns - not shown

* Not included with complete brake assembly. Item sold separately.

Electric Brake New Style After 5/1/09

Item	Part No.	Qty/Brk	Description
0	K23-462-00	1	LH Complete Brake Assembly (shown)
0	K23-463-00	1	RH Complete Brake Assembly
1	036-019-19	1	Backing Plate Assembly
2	047-019-00	1	LH Actuating Lever Arm
2	047-020-00	1	RH Actuating Lever Arm
3	005-067-00	1	Washer
4	027-005-00	2	Wire Clip
5	046-009-00	2	Retractor Spring
6	K71-672-00	1	Shoe & Lining Kit Contains: 1 #040-361-00 Primary Shoe & Lining 1 #040-362-00 Secondary Shoe & Lining 2 #049-002-00 Shoe Hold Down Pin #8 2 #046-077-00 Shoe Hold Down Spring & Cup
7	043-004-00	1	Adjuster Assembly
8	046-018-00	1	Adjusting Screw Spring
9	K71-125-00	1	Magnet Kit Contains: 1 #042-143-00 Magnet (black wire) 1 #027-009-00 Magnet Clip 1 #046-080-00 Magnet Spring
10	046-007-00	2	Adjuster Slot Plug
11	046-016-00	1	Wire Grommet
12	007-271-00	4	Brake Mounting Bolt - Press-in
*13	006-017-00	4	Brake Mounting Nut

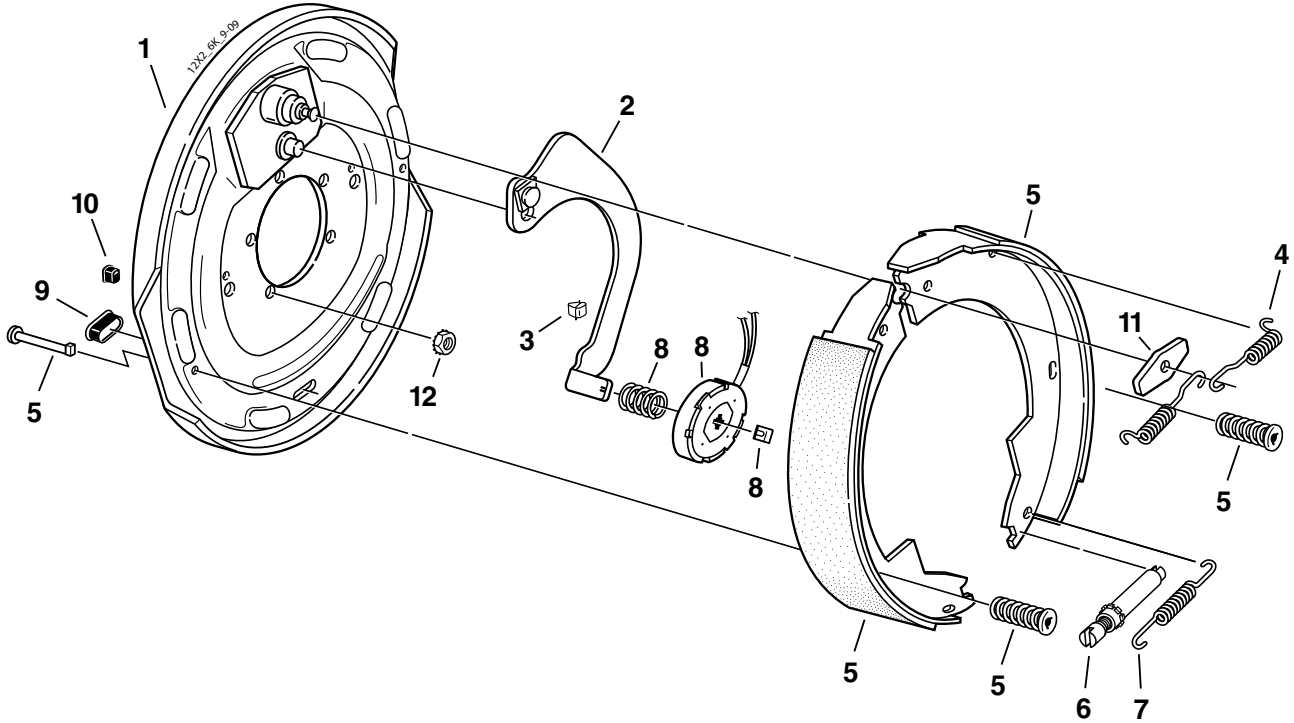
* Not included with complete brake assembly. Item sold separately.

12" x 2" Electric Brake



CSA approved at 5200#/14.2 SLR
 CSA approved at 6000#/14.2 SLR

3600 - 6000 LBS. CAPACITY



Electric Brake 6000# (CSA 5200#)

Item	Part No.	Qty/Brk	Description
0	K23-105-00	1	LH Complete Brake Assembly
0	K23-106-00	1	RH Complete Brake Assembly (shown)
1	036-089-05	1	Backing Plate Assembly
2	047-107-05	1	LH Actuating Lever Arm Assembly
2	047-108-05	1	RH Actuating Lever Arm Assembly
3	027-005-00	2	Wire Clip
4	046-009-00	2	Retractor Spring
5	K71-048-00	1	Shoe & Lining Kit Contains: 1 #040-044-00 Primary Shoe & Lining 1 #040-045-00 Secondary Shoe & Lining 2 #049-011-00 Shoe Hold Down Pin #2 2 #046-077-00 Shoe Hold Down Spring & Cup
6	043-004-00	1	Adjuster Assembly
7	046-018-00	1	Adjusting Screw Spring
8	K71-105-00	1	Magnet Kit Contains: 1 #042-144-00 Magnet (white wire) 1 #027-009-00 Magnet Clip 1 #046-080-00 Magnet Spring
9	046-007-00	2	Adjuster Slot Plug
10	046-016-00	1	Wire Grommet
11	005-067-00	1	Anchor Post Washer
*12	006-193-00	5	Nut Washer Assembly

* Not included with complete brake assembly. Item sold separately.

Electric Brake 6000# (CSA 6000#)

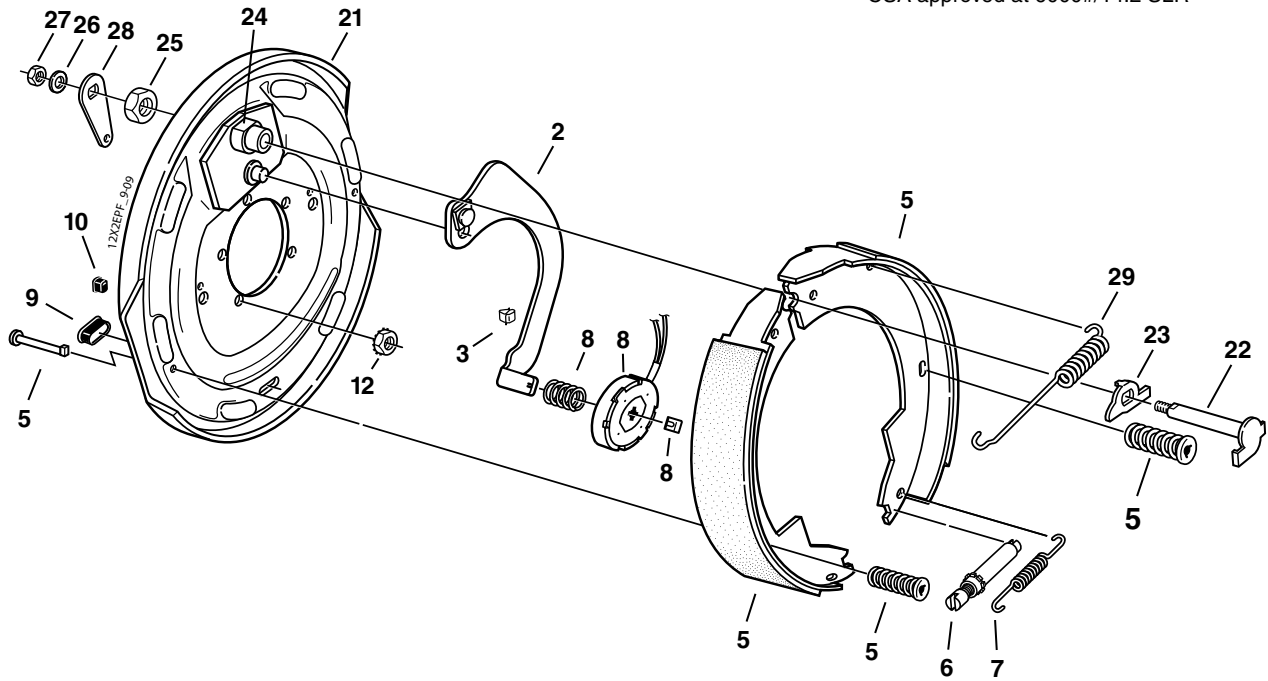
Item	Part No.	Qty/Brk	Description
0	K23-326-00	1	LH Complete Brake Assembly
0	K23-327-00	1	RH Complete Brake Assembly
1	036-089-05	1	Backing Plate Assembly
2	047-107-05	1	LH Actuating Lever Arm Assembly
2	047-108-05	1	RH Actuating Lever Arm Assembly
3	027-005-00	2	Wire Clip
4	046-009-00	2	Retractor Spring
5	K71-127-00	1	Shoe & Lining Kit Contains: 1 #040-215-00 Primary Shoe & Lining 1 #040-216-00 Secondary Shoe & Lining 2 #049-011-00 Shoe Hold Down Pin #2 2 #046-077-00 Shoe Hold Down Spring & Cup
6	043-004-00	1	Adjuster Assembly
7	046-018-00	1	Adjusting Screw Spring
8	K71-105-00	1	Magnet Kit Contains: 1 #042-144-00 Magnet (white wire) 1 #027-009-00 Magnet Clip 1 #046-080-00 Magnet Spring
9	046-007-00	2	Adjuster Slot Plug
10	046-016-00	1	Wire Grommet
11	005-067-00	1	Anchor Post Washer
*12	006-193-00	5	Nut Washer Assembly

12" x 2" Electric Brake With Parking Feature



CSA approved at 5200#/14.2 SLR
CSA approved at 6000#/14.2 SLR

3600 - 6000 LBS. CAPACITY



Electric Parking Brake 6000# (CSA 5200#)

Item	Part No.	Qty/Brk	Description
0	K23-112-00	1	LH Complete Brake Assembly
0	K23-113-00	1	RH Complete Brake Assembly (shown)
2	047-107-05	1	LH Actuating Lever Arm Assembly
2	047-108-05	1	RH Actuating Lever Arm Assembly
3	027-005-00	2	Wire Clip
5	K71-048-00	1	Shoe & Lining Kit Contains: 1 #040-044-00 Primary Shoe & Lining 1 #040-045-00 Secondary Shoe & Lining 2 #049-011-00 Shoe Hold Down Pin #2 2 #046-077-00 Shoe Hold Down Spring & Cup
6	043-004-00	1	Adjuster Assembly
7	046-018-00	1	Adjusting Screw Spring
8	K71-105-00	1	Magnet Kit Contains: 1 #042-144-00 Magnet (white wire) 1 #027-009-00 Magnet Clip 1 #046-080-00 Magnet Spring
9	046-007-00	2	Adjuster Slot Plug
10	046-016-00	1	Wire Grommet
*12	006-193-00	5	Nut Washer Assembly
20	036-089-08	1	LH Backing Plate Assembly Complete (includes #21-28)
20	036-089-09	1	RH Backing Plate Assembly Complete (includes #21-28)
21	036-089-06	1	LH Backing Plate Assembly
21	036-089-07	1	RH Backing Plate Assembly
22	039-025-00	1	LH Pivot Pin & Cam Sub-Assembly
22	039-026-00	1	RH Pivot Pin & Cam Sub-Assembly
23	039-048-00	1	LH Actuating Cam
23	039-049-00	1	RH Actuating Cam
24	038-068-00	1	Anchor Post & Bushing Sub-Assembly
25	006-047-00	1	Anchor Post Locknut
26	005-041-00	1	Washer
27	006-011-00	1	Pivot Pin Locknut
28	047-070-00	1	Parking Brake Lever
29	046-005-00	1	Retractor Spring

Electric Parking Brake 6000# (CSA 6000#)

Item	Part No.	Qty/Brk	Description
0	K23-328-00	1	LH Complete Brake Assembly
0	K23-329-00	1	RH Complete Brake Assembly
2	047-107-05	1	LH Actuating Lever Arm Assembly
2	047-108-05	1	RH Actuating Lever Arm Assembly
3	027-005-00	2	Wire Clip
5	K71-127-00	1	Shoe & Lining Kit Contains: 1 #040-215-00 Primary Shoe & Lining 1 #040-216-00 Secondary Shoe & Lining 2 #049-011-00 Shoe Hold Down Pin #2 2 #046-077-00 Shoe Hold Down Spring & Cup
6	043-004-00	1	Adjuster Assembly
7	046-018-00	1	Adjusting Screw Spring
8	K71-105-00	1	Magnet Kit Contains: 1 #042-144-00 Magnet (white wire) 1 #027-009-00 Magnet Clip 1 #046-080-00 Magnet Spring
9	046-007-00	2	Adjuster Slot Plug
10	046-016-00	1	Wire Grommet
*12	006-193-00	5	Nut Washer Assembly
20	036-089-08	1	LH Backing Plate Assembly Complete (includes #21-28)
20	036-089-09	1	RH Backing Plate Assembly Complete (includes #21-28)
21	036-089-06	1	LH Backing Plate Assembly
21	036-089-07	1	RH Backing Plate Assembly
22	039-025-00	1	LH Pivot Pin & Cam Sub-Assembly
22	039-026-00	1	RH Pivot Pin & Cam Sub-Assembly
23	039-048-00	1	LH Actuating Cam
23	039-049-00	1	RH Actuating Cam
24	038-068-00	1	Anchor Post & Bushing Sub-Assembly
25	006-047-00	1	Anchor Post Locknut
26	005-041-00	1	Washer
27	006-011-00	1	Pivot Pin Locknut
28	047-070-00	1	Parking Brake Lever
29	046-005-00	1	Retractor Spring

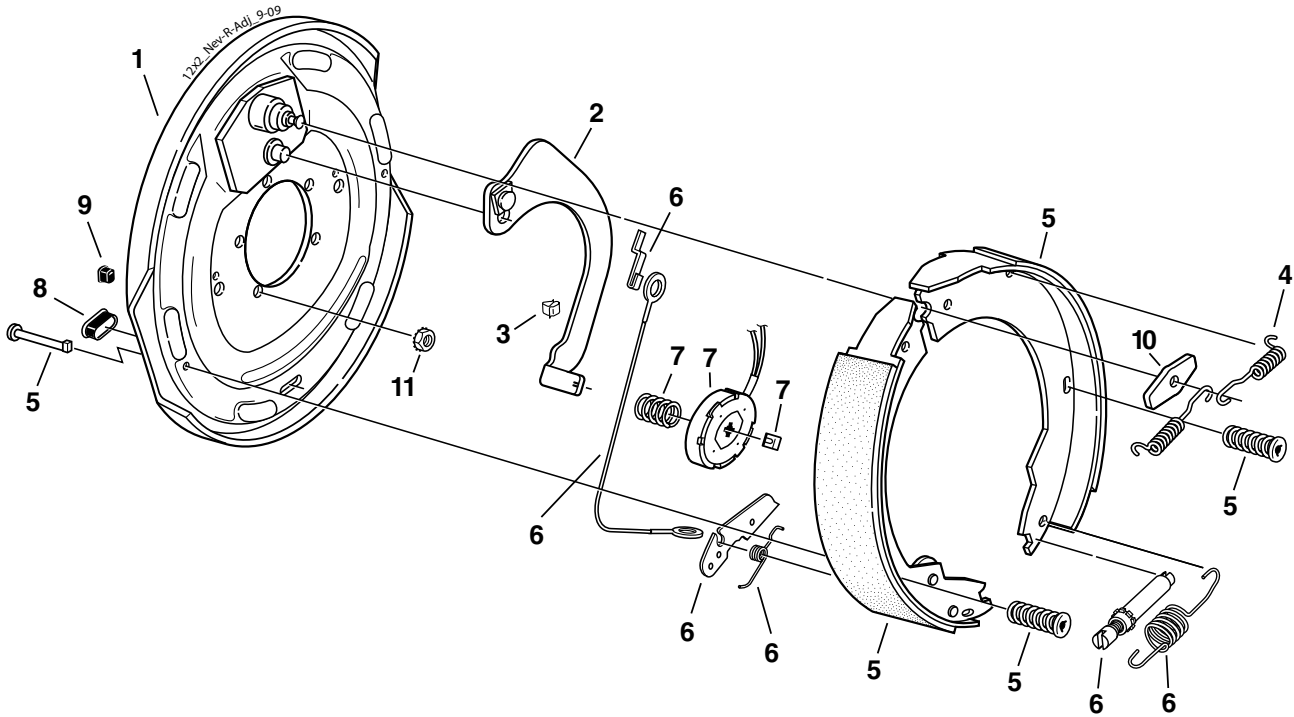
* Not included with complete brake assembly. Item sold separately.

12" x 2" Nev-R-Adjust® Electric Brake



CSA approved at 5200#/14.2 SLR
CSA approved at 6000#/14.2 SLR

3600 - 6000 LBS. CAPACITY



Electric Brake 6000# (CSA 5200#)

Item	Part No.	Qty/Brk	Description
0	K23-458-00	1	LH Complete Brake Assembly
0	K23-459-00	1	RH Complete Brake Assembly (shown)
1	036-089-05	1	Backing Plate Assembly
2	047-107-05	1	LH Actuating Lever Arm Assembly
2	047-108-05	1	RH Actuating Lever Arm Assembly
3	027-005-00	2	Wire Clip
4	046-009-00	2	Retractor Spring
5	K71-673-00	1	LH Shoe & Lining Kit Contains: 1 #040-044-00 Primary Shoe & Lining 1 #040-045-03 Secondary Shoe & Lining 2 #049-011-00 Shoe Hold Down Pin #2 2 #046-077-00 Shoe Hold Down Spring & Cup
5	K71-674-00	1	RH Shoe & Lining Kit Contains: 1 #040-044-00 Primary Shoe & Lining 1 #040-045-04 Secondary Shoe & Lining 2 #049-011-00 Shoe Hold Down Pin #2 2 #046-077-00 Shoe Hold Down Spring & Cup
6	K71-679-00	1	LH & RH Brake Adjuster Kit Contains: 2 #046-139-00 Adjusting Screw Spring 1 #046-140-00 LH Lever Spring 1 #046-141-00 RH Lever Spring 1 #048-022-00 LH Adjuster Assembly 1 #048-023-00 RH Adjuster Assembly 2 #071-528-00 Adjuster Cable 2 #071-529-00 Hook for Cable 1 #071-530-01 LH Adjusting Lever 1 #071-530-02 RH Adjusting Lever
7	K71-105-00	1	Magnet Kit Contains: 1 #042-144-00 Magnet (white wire) 1 #027-009-00 Magnet Clip 1 #046-080-00 Magnet Spring
8	046-007-00	2	Adjuster Slot Plug
9	046-016-00	1	Wire Grommet
10	005-067-00	1	Anchor Post Washer
*11	006-193-00	5	Nut Washer Assembly

* Not included with complete brake assembly. Item sold separately.

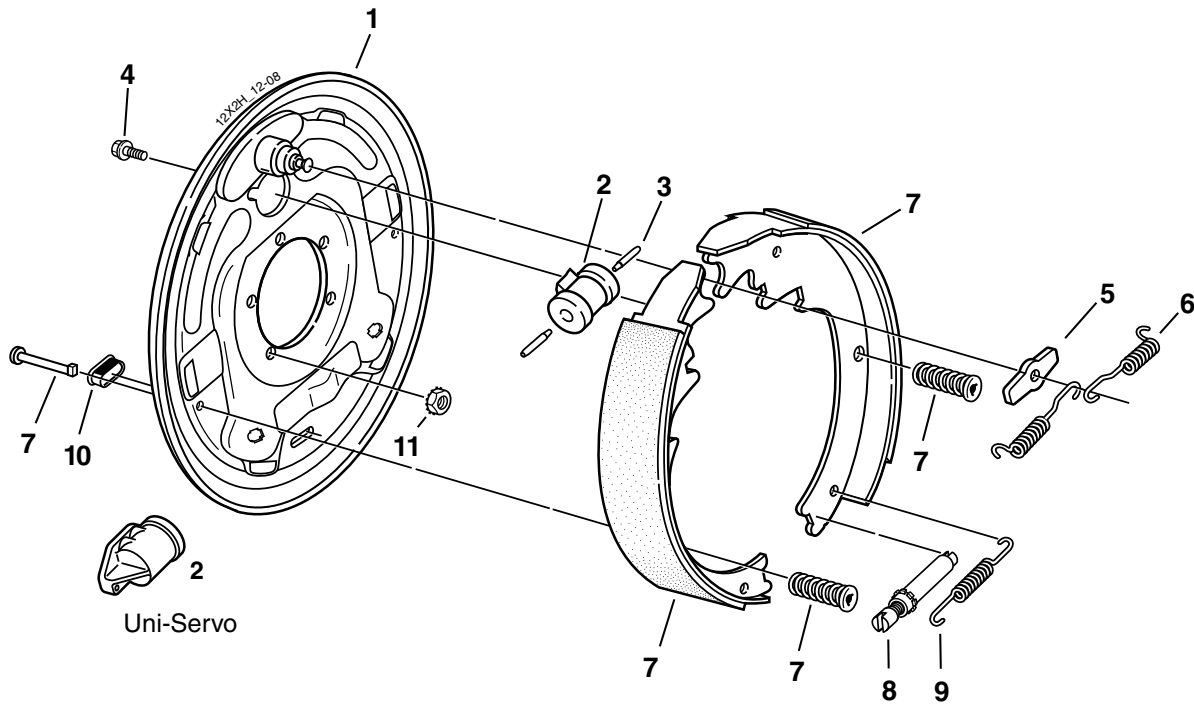
Electric Brake 6000# (CSA 6000#)

Item	Part No.	Qty/Brk	Description
0	K23-466-00	1	LH Complete Brake Assembly
0	K23-467-00	1	RH Complete Brake Assembly (shown)
1	036-089-05	1	Backing Plate Assembly
2	047-107-05	1	LH Actuating Lever Arm Assembly
2	047-108-05	1	RH Actuating Lever Arm Assembly
3	027-005-00	2	Wire Clip
4	046-009-00	2	Retractor Spring
5	K71-675-00	1	LH Shoe & Lining Kit Contains: 1 #040-215-00 Primary Shoe & Lining 1 #040-216-01 Secondary Shoe & Lining 2 #049-011-00 Shoe Hold Down Pin #2 2 #046-077-00 Shoe Hold Down Spring & Cup
5	K71-676-00	1	RH Shoe & Lining Kit Contains: 1 #040-215-00 Primary Shoe & Lining 1 #040-216-02 Secondary Shoe & Lining 2 #049-011-00 Shoe Hold Down Pin #2 2 #046-077-00 Shoe Hold Down Spring & Cup
6	K71-679-00	1	LH & RH Brake Adjuster Kit Contains: 2 #046-139-00 Adjusting Screw Spring 1 #046-140-00 LH Lever Spring 1 #046-141-00 RH Lever Spring 1 #048-022-00 LH Adjuster Assembly 1 #048-023-00 RH Adjuster Assembly 2 #071-528-00 Adjuster Cable 2 #071-529-00 Hook for Cable 1 #071-530-01 LH Adjusting Lever 1 #071-530-02 RH Adjusting Lever
7	K71-105-00	1	Magnet Kit Contains: 1 #042-144-00 Magnet (white wire) 1 #027-009-00 Magnet Clip 1 #046-080-00 Magnet Spring
8	046-007-00	2	Adjuster Slot Plug
9	046-016-00	1	Wire Grommet
10	005-067-00	1	Anchor Post Washer
*11	006-193-00	5	Nut Washer Assembly



12" x 2" Hydraulic Brake

3600 - 6000 LBS. CAPACITY



Note: Uni-Servo brakes to be used with surge actuator

Hydraulic Brake 5200#

Item	Part No.	Qty/Brk	Description
0	K23-322-00	1	LH Complete Brake Assembly-DS
0	K23-323-00	1	RH Complete Brake Assembly-DS (shown)
0	K23-324-00	1	LH Complete Brake Assembly-US
0	K23-325-00	1	RH Complete Brake Assembly-US (shown)
1	036-093-03	1	Backing Plate Assembly
2	054-062-00	1	LH Brake Cylinder Duo-Servo
2	054-063-00	1	RH Brake Cylinder Duo-Servo
2	054-064-00	1	LH Brake Cylinder Uni-Servo
2	054-065-00	1	RH Brake Cylinder Uni-Servo
3	054-060-00	1 or 2	Cylinder Push Rod US (1) DS (2)
4	087-001-00	2	Sems (screw & washer assembly)
5	005-113-00	1	Anchor Post Washer
6	046-101-00	2	Retractor Spring
7	K71-268-00	1	Shoe & Lining Kit Contains: 1 #040-204-00 Primary Shoe & Lining 1 #040-206-00 Secondary Shoe & Lining 2 #046-077-00 Shoe Hold Down Spring & Cup 2 #049-012-00 Shoe Hold Down Pin #4
8	043-029-00	1	Adjuster Assembly
9	046-102-00	1	Adjusting Screw Spring
10	046-007-00	1	Adjuster Slot Plug
*11	006-193-00	5	Nut Washer Assembly
ns	054-089-00	1	Bleeder Screw (included with item #2)

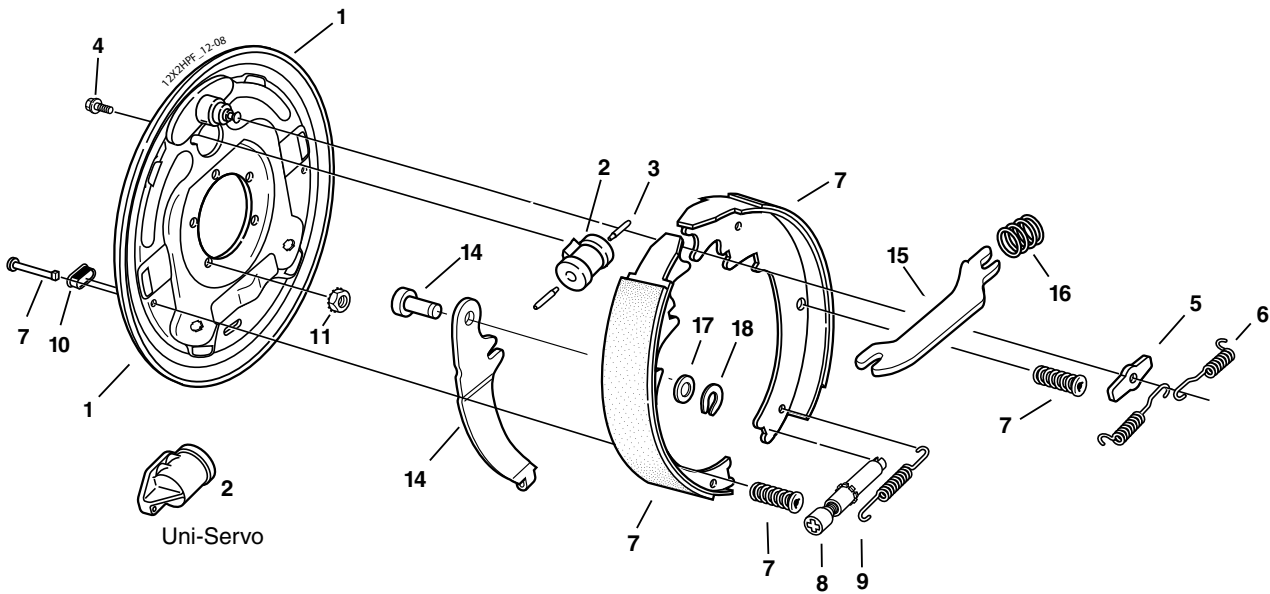
ns - not shown

* Not included with complete brake assembly. Item sold separately.

12" x 2" Hydraulic Brake With Parking Feature



3600 - 6000 LBS. CAPACITY



Note: Uni-Servo brakes to be used with surge actuator

Hydraulic Parking Brake 5200#

Item	Part No.	Qty/Brk	Description
0	K23-318-00	1	LH Complete Brake Assembly-DS
0	K23-319-00	1	RH Complete Brake Assembly-DS (shown)
0	K23-320-00	1	LH Complete Brake Assembly-US
0	K23-321-00	1	RH Complete Brake Assembly-US (shown)
1	036-093-19	1	LH Backing Plate Assembly
1	036-093-20	1	RH Backing Plate Assembly
2	054-062-00	1	LH Brake Cylinder Duo-Servo
2	054-063-00	1	RH Brake Cylinder Duo-Servo
2	054-064-00	1	LH Brake Cylinder Uni-Servo
2	054-065-00	1	RH Brake Cylinder Uni-Servo
3	054-060-00	1 or 2	Cylinder Push Rod US (1) DS (2)
4	087-001-00	2	Sems (screw & washer assembly)
5	005-113-00	1	Anchor Post Washer
6	046-101-00		Retractor Spring
7	K71-268-00	1	Shoe & Lining Kit Contains: 1 #040-204-00 Primary Shoe & Lining 1 #040-206-00 Secondary Shoe & Lining 2 #046-077-00 Shoe Hold Down Spring & Cup 2 #049-012-00 Shoe Hold Down Pin #4
8	043-029-00	1	Adjuster Assembly
9	046-102-00	1	Adjusting Screw Spring
10	046-007-00	1	Adjuster Slot Plug
*11	006-193-00	5	Nut Washer Assembly
14	047-110-01	1	LH Parking Lever and Pin
14	047-111-01	1	RH parking Lever and Pin
15	047-109-00	1	Parking Strut
16	046-103-00	1	Parking Strut Spring
17	005-112-00	1	Spring Tension Washer
18	069-055-00	1	Retainer
ns	054-089-00	1	Bleeder Screw (included with item #2)
*ns	071-515-00	1	Park Brake Cable

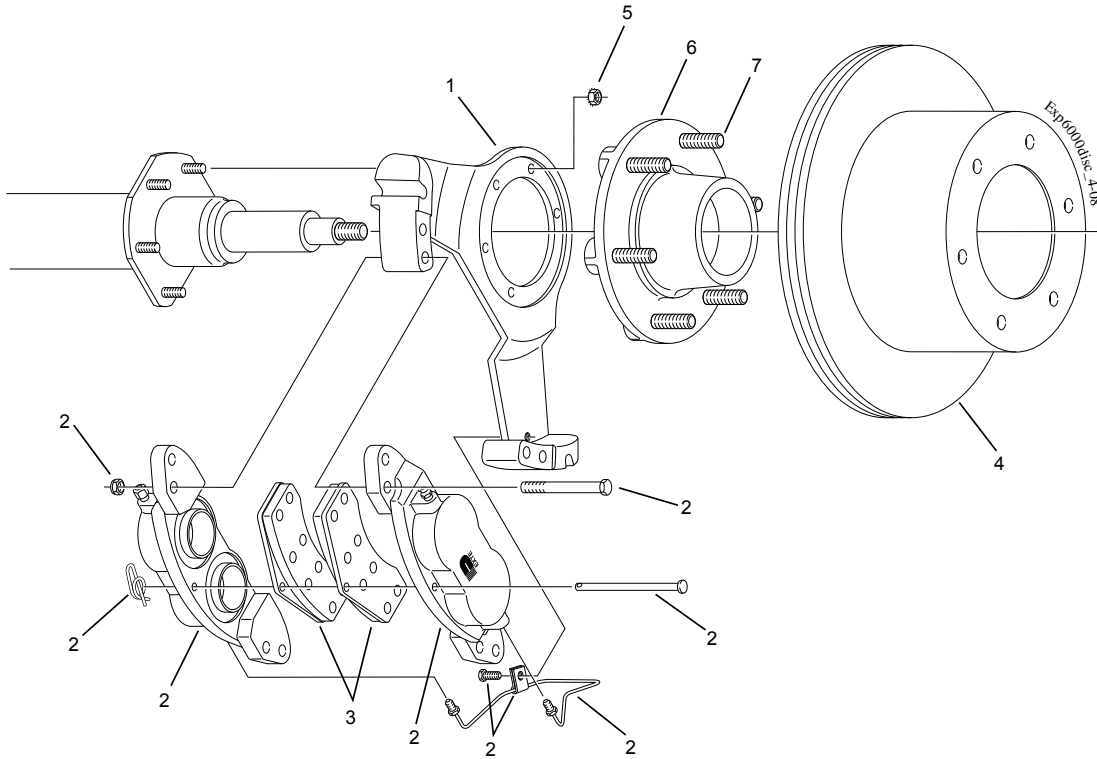
ns - not shown

* Not included with complete brake assembly. Item sold separately.

Disc Brake for 6,000 Lb. Axles



CSA approved at 6000#/14.3 SLR



Disc Brake 6000#

Item	Part No.	Qty/Brk	Description
1	090-005-01	1	LH Anchor Yoke
1	090-005-02	1	RH Anchor Yoke (shown)
2	K71-636-00	1	Caliper Assembly Kit for LH or RH Contains:
	4 006-045-00		Caliper Mounting Nut
	4 007-254-00		Caliper Mounting Bolt
	1 019-019-00		Cotter Ring
	1 027-060-00		Tube Clamp
	1 054-092-00		Bleeder Screw
	1 054-094-00		Adapter Fitting
	1 056-038-00		Pad Retaining Pin
	1 071-513-00		Cross Over Hydraulic Line (yokes without notch)
	1 071-517-00		Cross Over Hydraulic Line (yokes with notch)
	1 087-002-00		Hex Bolt
	2 089-005-02		Assembled Caliper Half
3	K71-629-00	1	Brake Pad Kit (axle set)
4	K71-637-00	1	Rotor Kit
5	006-193-00	5	3/8" Brake Mounting Nut-Washer Assembly

Disc Brake 6000# With 42MM Nev-R-Lube®

Item	Part No.	Qty/Brk	Description
1	090-006-01	1	LH Anchor Yoke
1	090-006-02	1	RH Anchor Yoke
2	K71-636-00	1	Caliper Assembly Kit for LH or RH Contains:
	4 006-045-00		Caliper Mounting Nut
	4 007-254-00		Caliper Mounting Bolt
	1 019-019-00		Cotter Ring
	1 027-060-00		Tube Clamp
	1 054-092-00		Bleeder Screw
	1 054-094-00		Adapter Fitting
	1 056-038-00		Pad Retaining Pin
	1 071-513-00		Cross Over Hydraulic Line (yokes without notch)
	1 071-517-00		Cross Over Hydraulic Line (yokes with notch)
	1 087-002-00		Hex Bolt
	2 089-005-02		Assembled Caliper Half
3	K71-629-00	1	Brake Pad Kit (axle set)
4	K71-637-00	1	Rotor Kit
5	006-193-00	5	3/8" Brake Mounting Nut-Washer Assembly

Disc Brake Hubs & Studs

Item	Part No.	Qty/Brk	Description
6	008-403-05	1	Grease 1/2" Studs 6 on 5.50
7	007-262-00	6	1/2-20 x 2.50" Press-in Stud

Nev-R-Lube® Disc Brake Hubs

Item	Part No.	Qty/Brk	Description
6	008-404-80	1	1/2" Studs, 42mm 6 on 5.50
7	007-262-00	6	1/2-20 x 2.50" Press-in Stud